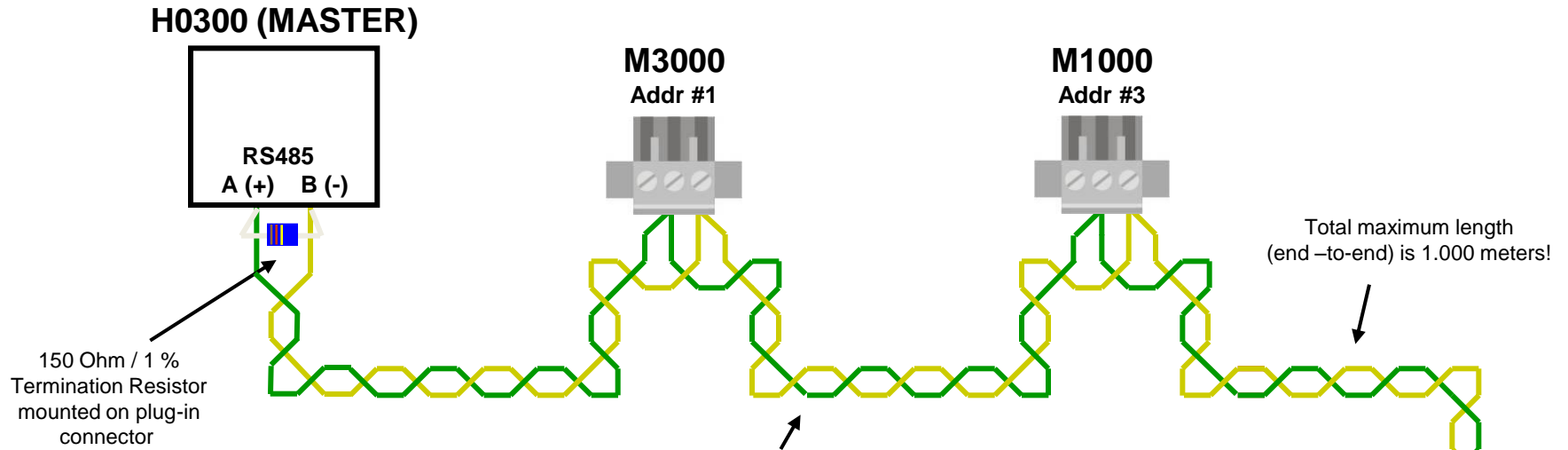
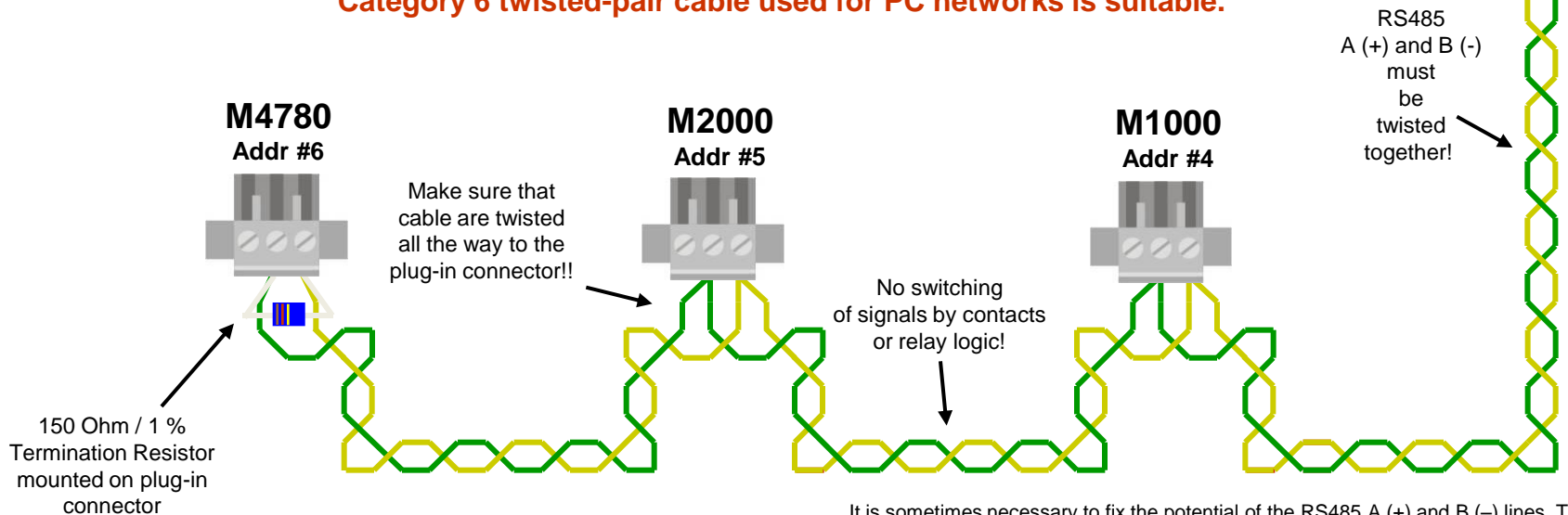


# RS485 Bus Cable



**Recommended cable type is 0.25 - 0.34 mm<sup>2</sup> (AWG23/AWG22).  
Category 6 twisted-pair cable used for PC networks is suitable.**



— Term. A (RS485 +)      — Term. B (RS485 -)

It is sometimes necessary to fix the potential of the RS485 A (+) and B (-) lines. This is done using a 10 kΩ and a 1 kΩ resistor. The 10 kΩ is fixed between RS485 A (+) and +24 VDC, the 1 kΩ is fixed between RS485 B (-) and 0V (-) VDC supply. Please see the MODBUS biasing document in the alarm panel document section.