

# M0700 Optional Print Cards

## M0700-00 Universal PC Board

On the rear of M1000, M2000 and M2100 controllers a general useable auxiliary PC board can be connected for easy soldering of resistors and diodes to be used on both inputs and outputs.

## M0700-20 Relay PC Board

On the rear of M1000, M2000 and M2100 controllers a relay PC-Board can be mounted, which gives galvanic isolation between the controller and one external relay contact per channel. For channel 1 a contact is available between terminals 51 and 71, channel 2 on 52 and 72 etc.

### Contact specifications

AC : 125V, 1A, 60VA  
 DC : 150V, 1A, 30W  
 Isolation : 1500V

## M0700-10 Positive Output PC Board

On the rear of M1000, M2000 and M2100 controllers an auxiliary PC board M0700-10 can be connected. When mounted on the controllers output terminals, it changes the output from negative going to positive going. Max. 80V, max. 0.1A.

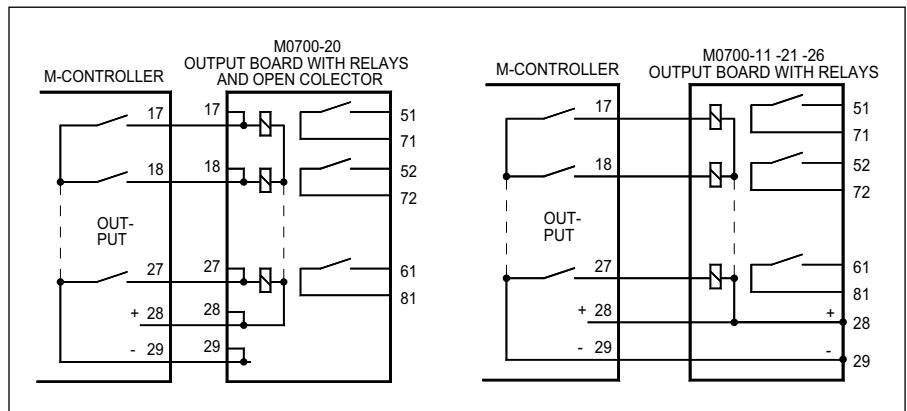


Fig. 1. M0700-20 Relay PC Board

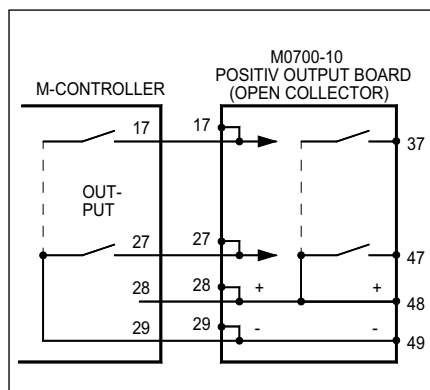


Fig. 2. M0700-10 Positive Output PC Board

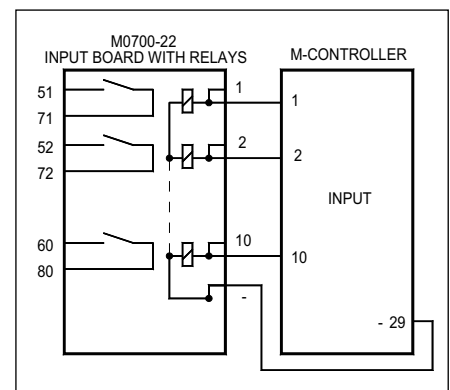


Fig. 3. M0700-22 Input Board

SELCO Worldwide



## Type Selection Table

M0700.0010	Universal PC board for 12V-110V DC
M0700.0020	Positive output board 12V-48V DC
M0700.0030	Output board with relays 12V DC
M0700.0040	Output board with relays and open collectors 24V DC
M0700.0050	Output board with relays 110V DC
M0700.0060	Board for RS-485 12V-48V DC
M0700.0070	Output board with relays 48V DC

Main office:  
 SELCO A/S  
 Betonvej 10  
 DK-4000 Roskilde  
 Denmark  
 Phone: + 45 7026 1122  
 Fax: + 45 7026 2522  
 e-mail: selco.dk@selco.com  
 www.selco.com

